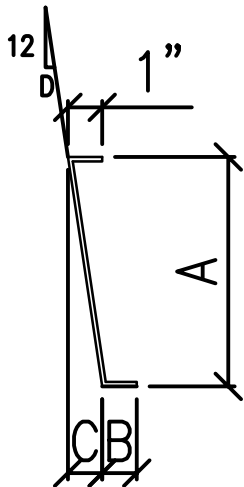
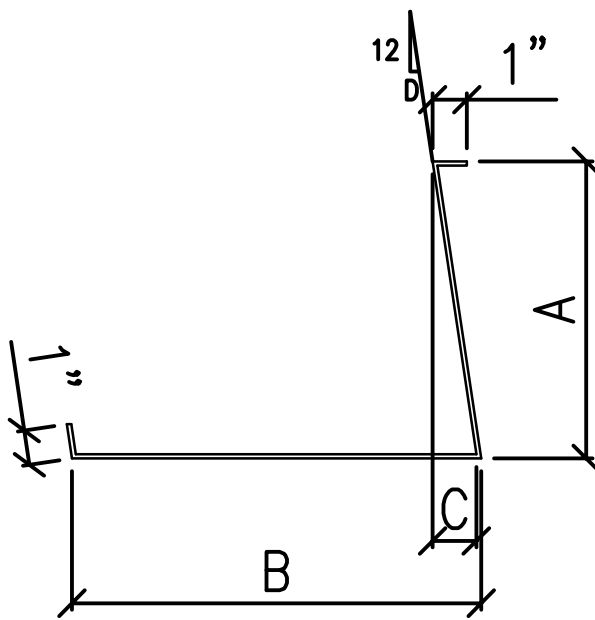


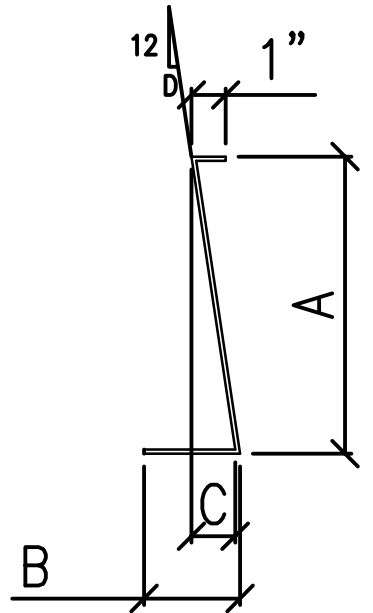
DRAWN BY: DRWN	ENTRY BY: ENTRY	STAIR NO: MONUMENTAL
DATE: DATE	ENTRY DATE: ENTRYDATE	



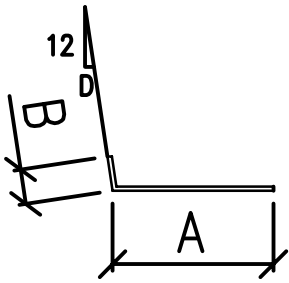
STYLE #1



STYLE #2



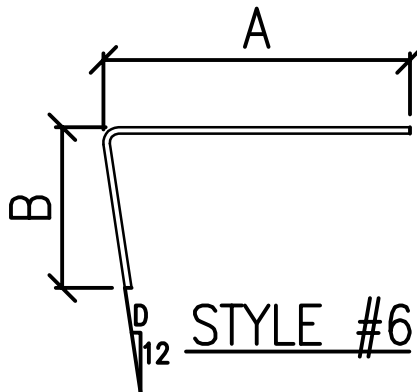
STYLE #3



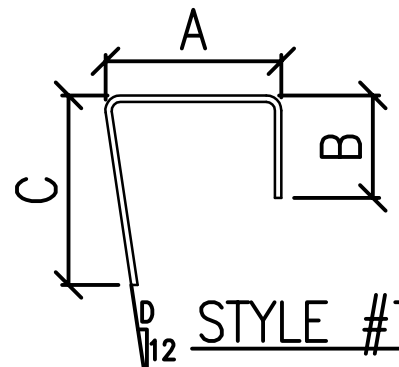
STYLE #4



STYLE #5



STYLE #6



STYLE #7

STYLE	GAGE	QTY.	A	B	C	D	WIDTH	LENGTH	PCMARK	REMARKS
1	12	1	6 $\frac{1}{16}$	1	1	1 $\frac{3}{16}$	10'-0	8 $\frac{3}{4}$	sp1a	
2	12	17	8 $\frac{1}{16}$	11 $\frac{5}{16}$	1 $\frac{1}{4}$	1 $\frac{3}{16}$	10'-0	1'-10 $\frac{5}{8}$	sp1b	
4	12	1	6 $\frac{1}{16}$	1		1 $\frac{3}{16}$	10'-0	7 $\frac{1}{16}$	sp1c	
6	$\frac{3}{16}$ "	1	11 $\frac{9}{16}$	4 $\frac{1}{16}$		1 $\frac{3}{16}$	0'-3	1'-4 $\frac{1}{8}$	sp1d	
6	$\frac{3}{16}$ "	16	11 $\frac{9}{16}$	6 $\frac{1}{2}$		1 $\frac{3}{16}$	0'-3"	1'-0 $\frac{1}{16}$	sp1f	
7	$\frac{3}{16}$ "	1	5 $\frac{1}{8}$	3	5 $\frac{1}{2}$	1 $\frac{3}{16}$	0'-3	10 $\frac{9}{16}$	sp1h	
2	12	10	8 $\frac{1}{16}$	11 $\frac{5}{16}$	1 $\frac{1}{4}$	1 $\frac{3}{16}$	5-3	1'-10 $\frac{5}{8}$	sp1j	
3	12	2	9 $\frac{1}{16}$	1'-7 $\frac{1}{2}$	1 $\frac{1}{16}$	1 $\frac{3}{16}$	5'-3	2'-6 $\frac{3}{16}$	sp1k	

IN CONTRACT/EXTRA		REASON FOR EXTRA: EXTRA	
PICKUP/DELIVER DATE: DATE		PRIORITY: PRIORITY	
PAINT: PAINT		SURFACE PREP: PREP	
CUSTOMER: CUSTOMER		ORDERED BY: ORDERED	
SHIP TO: SHIPTO		SK# SK#	
JOB TITLE: JOBTITLE		JOB # JOBNO	